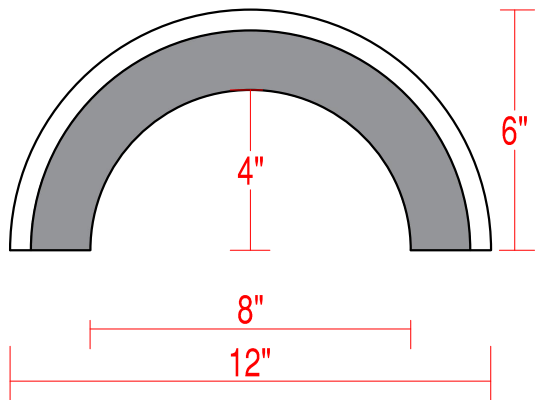
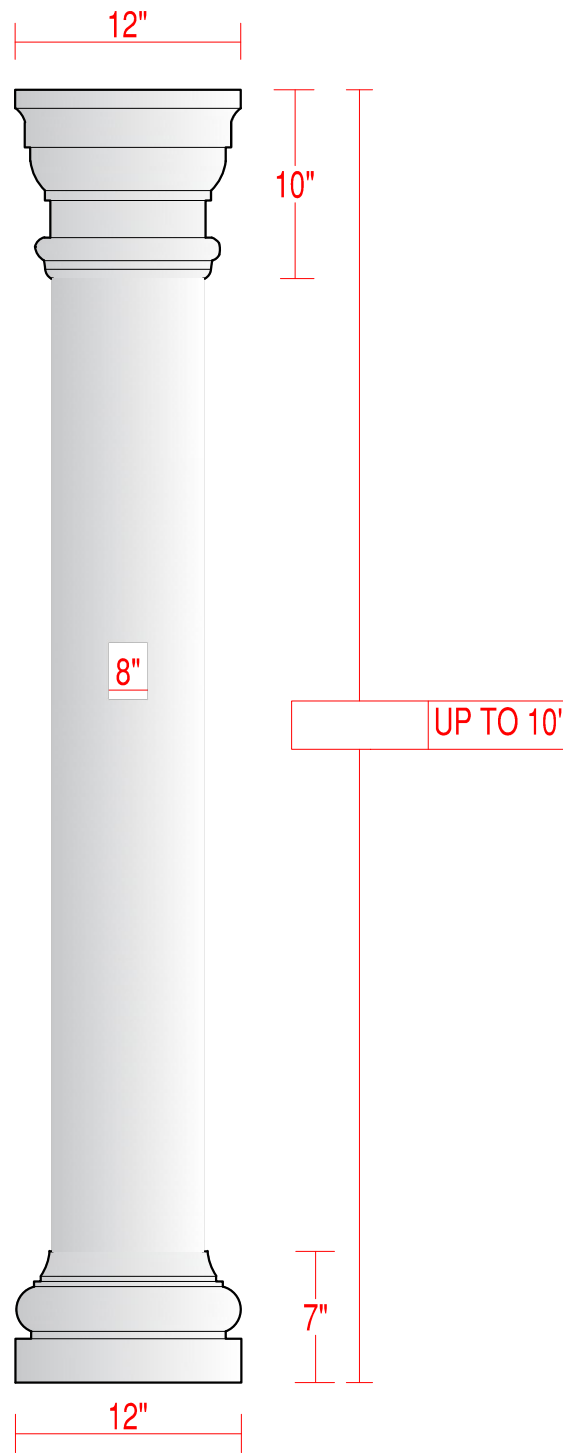


**CAPITAL  
TOP VIEW**



**BASE  
BOTTOM VIEW**



NOTES:		Shop Drawing	Date:	
		Purchase Order #:		
Material: GFRC <input type="checkbox"/> GFRG <input type="checkbox"/>	Stone name:		Install / Delivery By Elegant: Yes / No	
Customer Name:	Job Site Address:			
Contact Phone:	e-Mail:	Fax:	Manufactured:	Designer:
<small>These drawings are the sole, exclusive, and proprietary property of Elegant Fireplace mantels and are to be used only by and in the possession of parties or companies authorized by Elegant Fireplace mantels. Installation of stone constitutes acceptance.</small>			Drawn by:	Revised by:

I have reviewed the preseding specification and I find it acceptable. By signing below , I authorize Elegant Fireplace Mantel or the Distributor issuing this specification to proceed with purchase of the items herein.

Approved by: Printed name \_\_\_\_\_ Signature: \_\_\_\_\_ Dated: \_\_\_\_/\_\_\_\_/\_\_\_\_