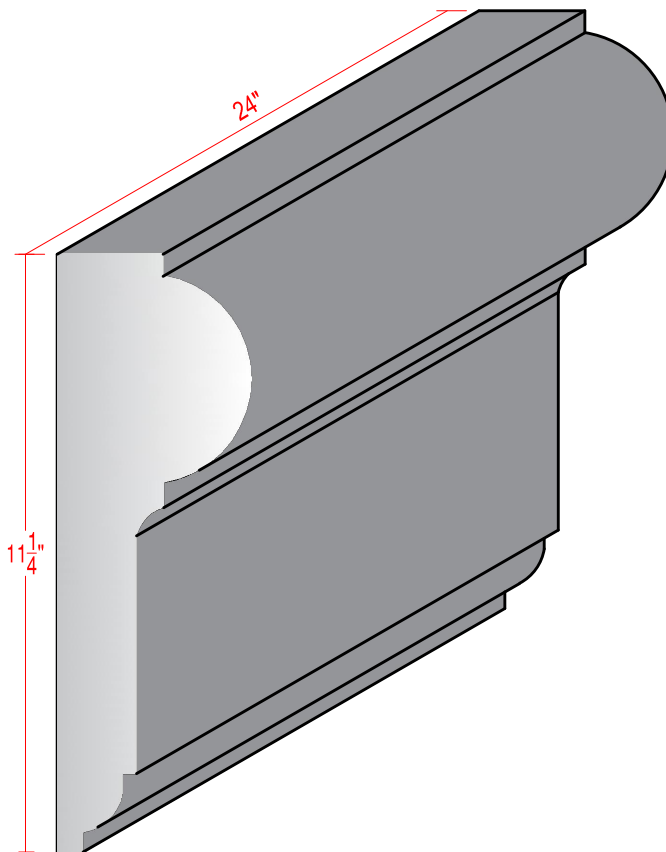
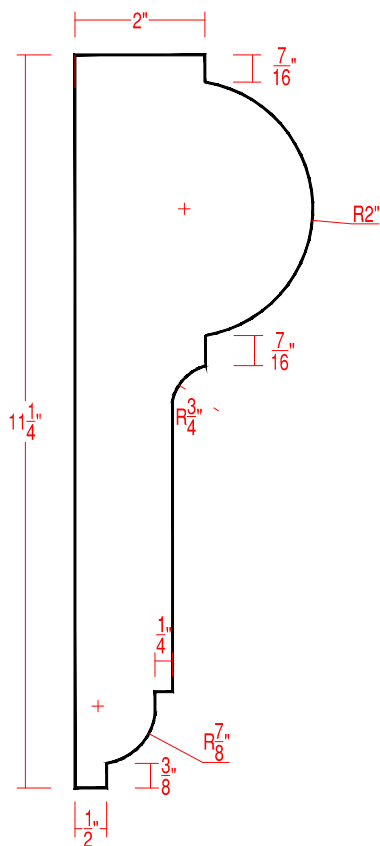


MOULDING: ET-11 1/4"



I have reviewed the preseding specification and I find it acceptable. By signing below , I authorize Elegant Fireplace Mantel or the Distributor issuing this specification to proceed with purchase of the items herein.

Approved by: Printed name _____ Signature: _____ Dated: ____/____/____